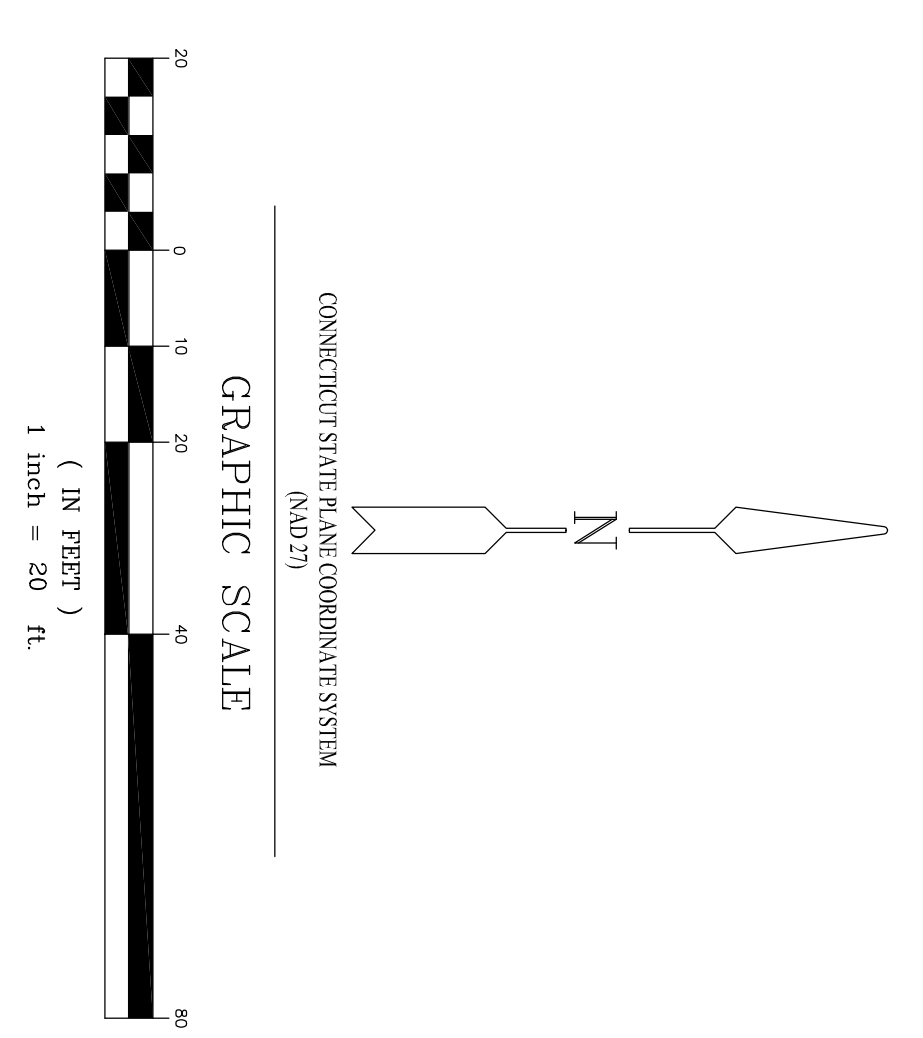
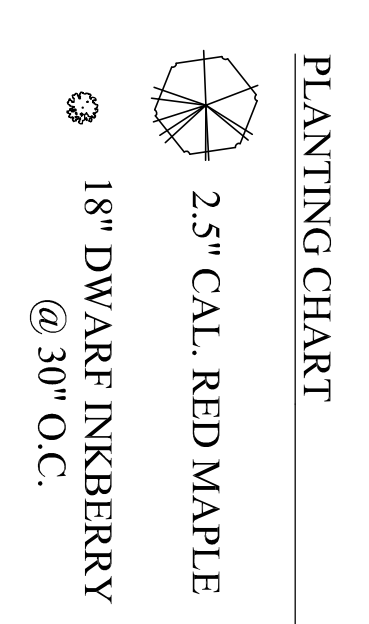
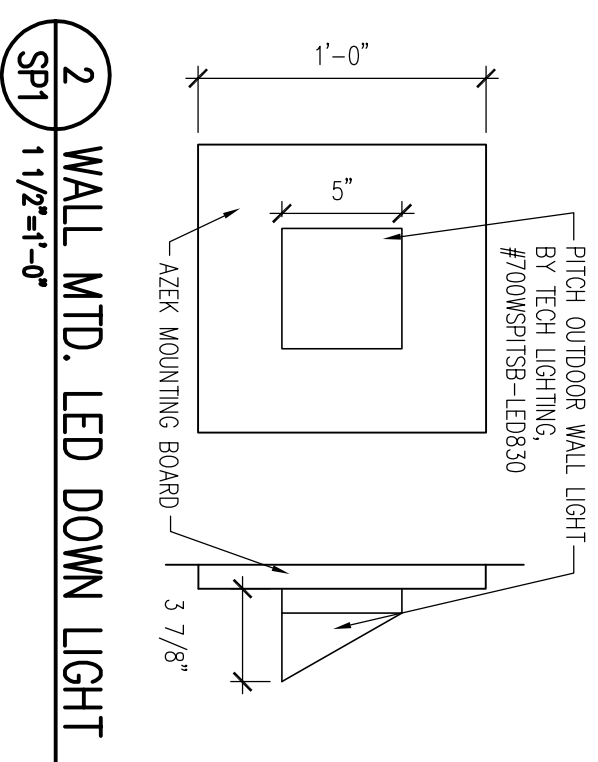
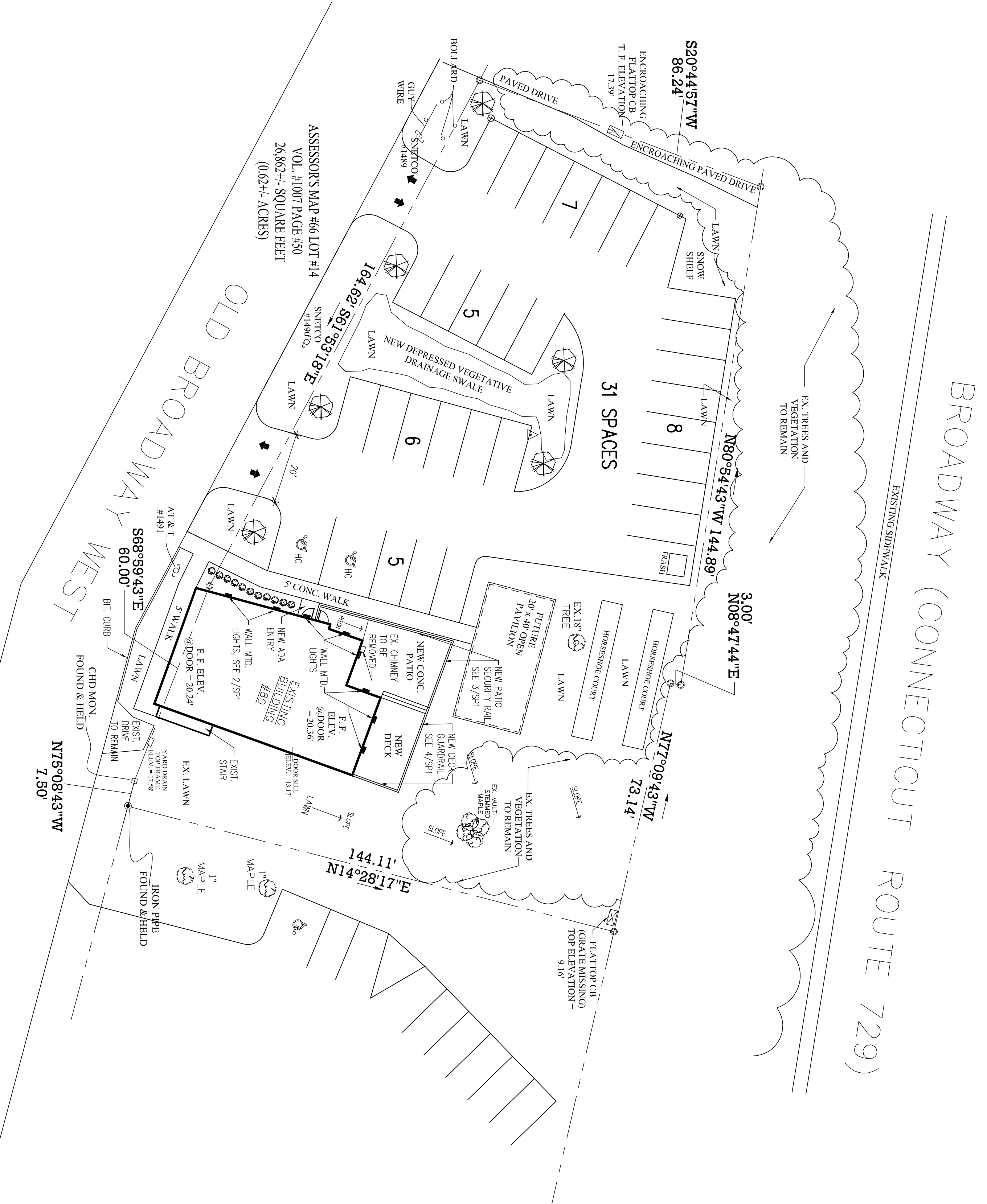
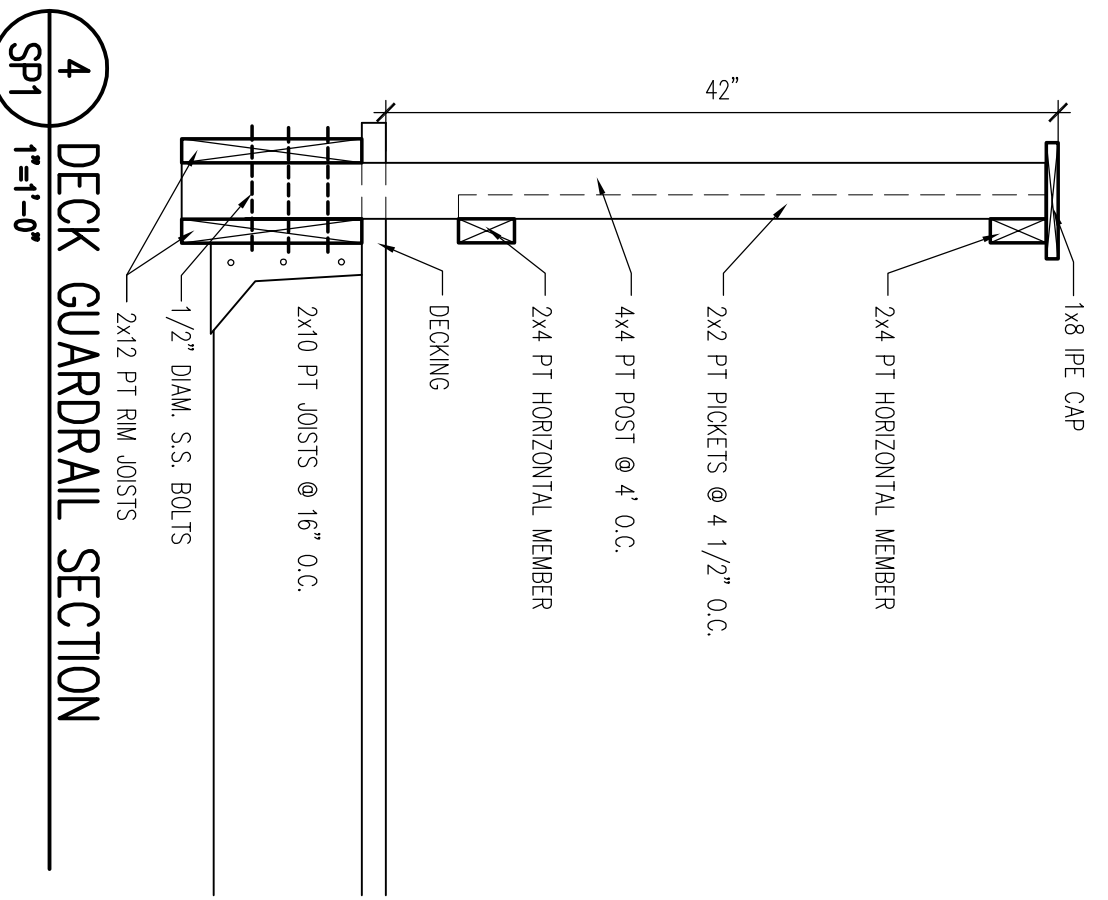
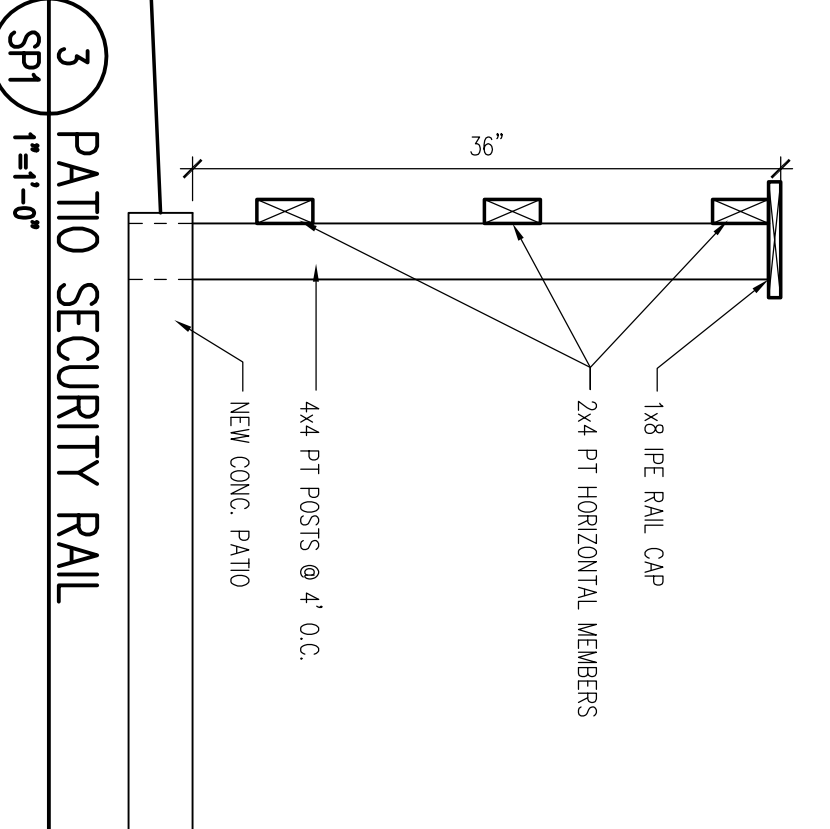


**GENERAL NOTES**

1. INFORMATION TAKEN FROM BOUNDARY MAP PREPARED BY STONE WALL BOUNDARIES, LLC.
2. SURVEYING & MAPPING, PAUL BUCKLEY REYNOLDS, P.L.L.S.
3. DATED FEBRUARY 6, 2021
- 4.
- 5.
- 6.
- 7.
- 8.
- 9.
- 10.



**1 PROPOSED SITE PLAN**  
SP1 1/20"=1'-0"



NO.	REFERENCE	DATE

**JOHN A. MATTHEWS**  
ARCHITECTURE AND PLANNING  
807 BOSTON POST ROAD PO BOX 929 MADISON CT 06443  
203 245-0110 FAX 203 245-0182

JOB: **B.P.O.E. NEW HAVEN 25**  
 80 OLD BROADWAY WEST  
 NORTH HAVEN, CT

TITLE OF SHEET: **PROPOSED SITE PLAN**

JOB NUMBER: **20120** SHEET NUMBER: **SP1**

STAGE: **ZONING**

DATE: **3/5/21**